

# HOLEMAKER PRO 35 PM

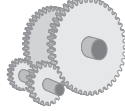
## PERMANENT MAGNET (RARE EARTH) MAGNETIC BASE DRILLING MACHINE



**Cutters**  
35mm



**Twist Drills**  
16mm



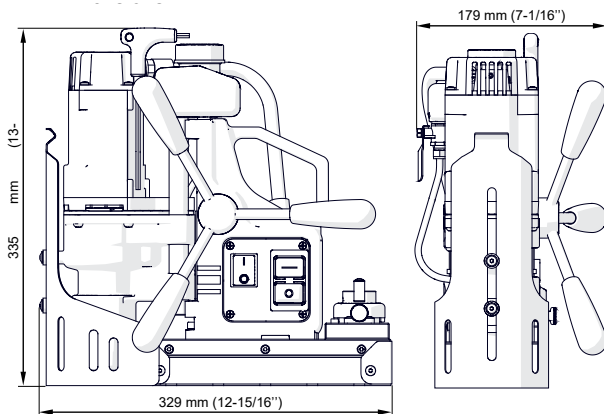
**Speed**  
350 rpm

### Features

- All of the features of the standard Pro 35 machine, with the addition of a permanent rare earth magnet (not electro magnet)
- Increased safety as machine cannot fall or break away from job if power is lost, due to the permanent rare earth magnetic base
- This machine is ideally suited to sites or applications where increased safety is required
- Quality, Compact & Robust European Made Machine
- Ideal for on-site and overhead tasks
- Solid, robust construction
- Dual rail slide system provides rigidity and eliminates the need for gib adjustments
- Gravity feed, through spindle coolant system
- Magnetically attached coolant bottle, which can be easily removed and attached to the work piece, allowing coolant feed whilst drilling in horizontal applications
- The feed handles can be placed on either the left or right hand side
- Cutter guard system is easy to use and practical.
- Smart magnet technology to ensure sufficient magnetic adhesion
- Comes complete in plastic carry case



PART NO. HMPRO35-PM



Part No.	Capacity (Diameter)	Capacity (Depth)	Capacity (Weldon Shank Twist Drills)	Motor Power	Input Power	Speed	Weight	Magnetic Dead Lift	Stroke	Height (min / max)
<b>HMPRO35PM</b>	35mm	45mm	16mm	920 Watt	1000 Watt Single Phase 240V	350rpm	13.0kg	6000Nm On 25mm Steel Plate	70mm	335 / 405mm