

**Collet chuck ER**

**Application:** For clamping tools with cylindrical shank in collets ER

**Technical Design:** Runout of outer taper to inner taper  $\leq 0,003$  mm. Due to adjusted taper tolerances of the ER-Inner taper and the Collet taper max. runout of  $\leq 8\mu$  at  $2,5 \times D$ .

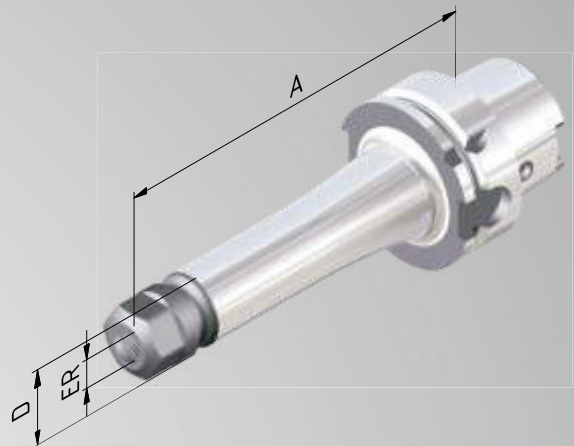
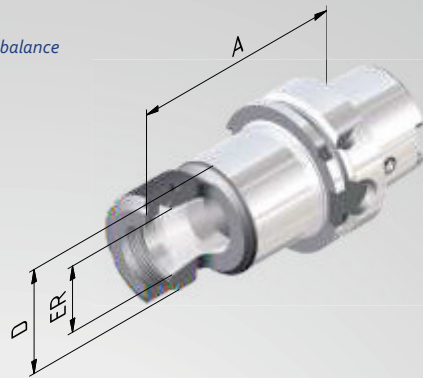
**Includes:** Clamping nut

**Accessories:** See page 130.

HSK-A 80



**Fine balanced**  
 $G_{2,5}$  at  $25.000^{min.}$   
or max. residual imbalance  
 $\leq 1$  gmm



Sealed versions see pages 132, 133.

Order No.	HSK	ER	Clamping range	A	D
608002-01	80	16	1-10	<sup>= 100</sup> 100	28
608002-02	80	25	1-16	100	42
608002-03	80	32	2-20	100	50
608002-011	80	16	1-10	<sup>= 160</sup> 160	28
608002-021	80	25	1-16	160	42
608002-031	80	32	2-20	160	50